

- ❖ 8x PUSH-PULL Transistor Outputs
- ❖ 4x 24 V Digital Inputs
- ❖ 3x 5V Digital Inputs or 10-bit Alarm Inputs
- ❖ 1x NOC 24V Relay Output
- ❖ 1x Slot for IF Module
- ❖ Operating Range -40°C to $+70^{\circ}\text{C}$
- ❖ 600 W Integrated Surge Protections



DIN35 Installation



PCB Version

PP8.1 is an industrial module which can be easily adapted for a wide range of tasks. It can be used as IPLOG-G submodule or as standalone IP addressable module at MODBUS / MIOS-2 IO bus.

DEVICE	PARAMETER	VALUES	NOTE
	Power Supply	12, 24, 48 VDC	10 to 60 VDC
	Consumption	Max. 1.5 W	
	Surge Protection	600 W	10/1000 μs
	Operating Range	-40 to $+70^{\circ}\text{C}$	
	Storage Range	-40 to $+70^{\circ}\text{C}$	
	Humidity	Max. 95 %	No-condensing
	Dimension	35 x 110 x 119 mm	W x H x D
	Weight	Max. 0.38 kg	
	Installation	DIN35 or Flat Surface	
	Device Class	I	EN 61140
	Ingress Protection	IP 20	EN 60529
	Degree of pollution	II	EN 60664-1
Connections	Screw Terminals		
Conduct. cross-section	Max. 2.5 mm ²		

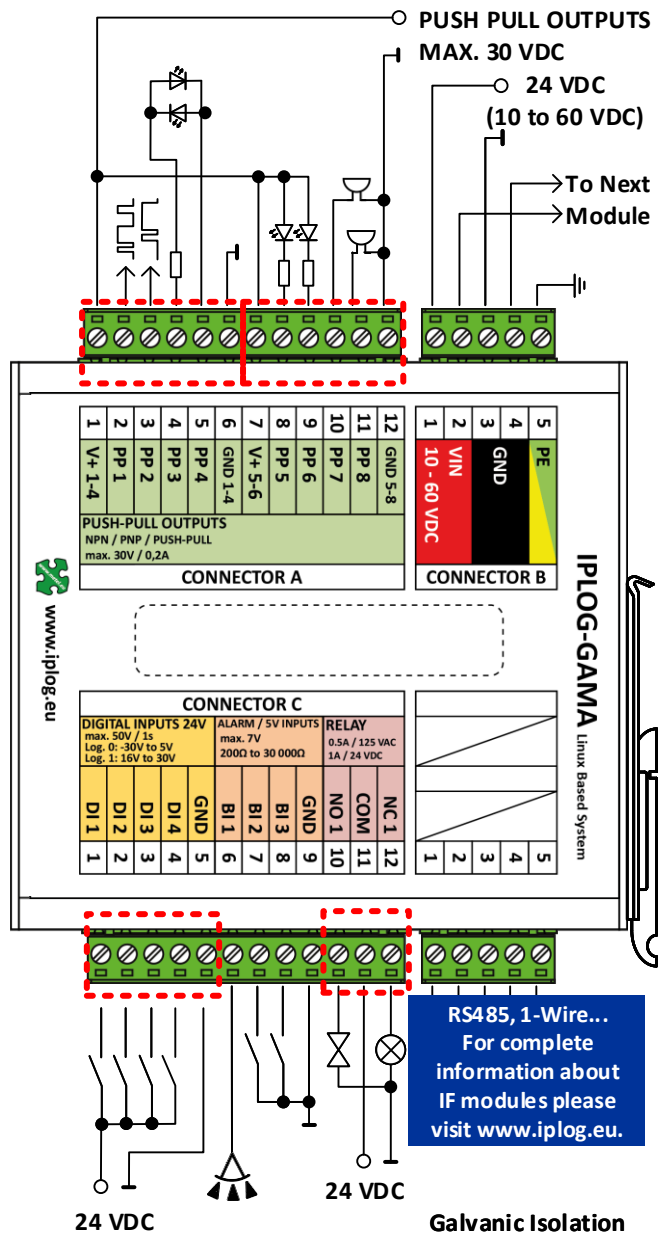
CPU	PARAMETER	VALUES	NOTE
	Series	32-bit MCU	
	Frequency	64 MHz	
	Flash	512 kB	
RAM	64 kB		

Safety Precautions



If dangerous voltage is applied to the terminals, only personnel with appropriate electrical education may perform installation and servicing of the equipment. In the case of a fault, the device must be sent to the producer for repair. The device must be earthed in accordance with national standards. We recommend the manipulation of terminal blocks, only in the presence of dangerous voltage. Failure to comply with this recommendation may result in the risk of electrical shock.

PRODUCT NAME	CODE	NOTE	ORDERING
PP8.1-01-BOX	5000-0701	2x RS485	
PP8.1-01G-BOX	5000-0702	2x RS485 (isolated)	
PP8.1-PCB	0000-0700	PCB Module	
For a Full Range of Interfaces Please Visit www.iplog.eu .			



RS485, 1-Wire...
For complete information about IF modules please visit www.iplog.eu.

Galvanic Isolation

Location and Designation of Connectors and LEDs

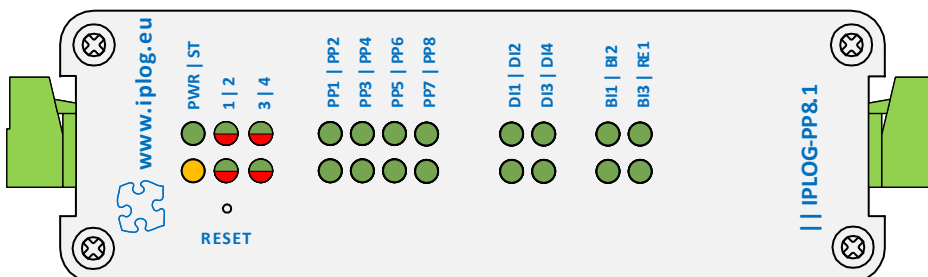
NOTE: The order of the terminal numbers in the table below corresponds to the order of the terminal numbers found on the device.

CONNECTOR A			LEDS	
12	GND 5-8	External Power - Minus Pole		
11	PP 8	Push-Pull Output	PP8	Default Setting Log 1 at PUSH or PULL Transistor = Lights / Programmable
10	PP 7	Push-Pull Output	PP7	
9	PP 6	Push-Pull Output	PP6	
8	PP 5	Push-Pull Output	PP5	
7	V+ 5-6	External Power - Plus pole		
6	GND 1-4	External Power - Minus Pole		
5	PP4	Push-Pull Output	pp4	
4	PP3	Push-Pull Output	PP3	
3	PP2	Push-Pull Output	PP2	Each Output can be set Independently of another.
2	PP1	Push-Pull Output	PP1	
1	V+ 1-4	External Power - Plus pole		

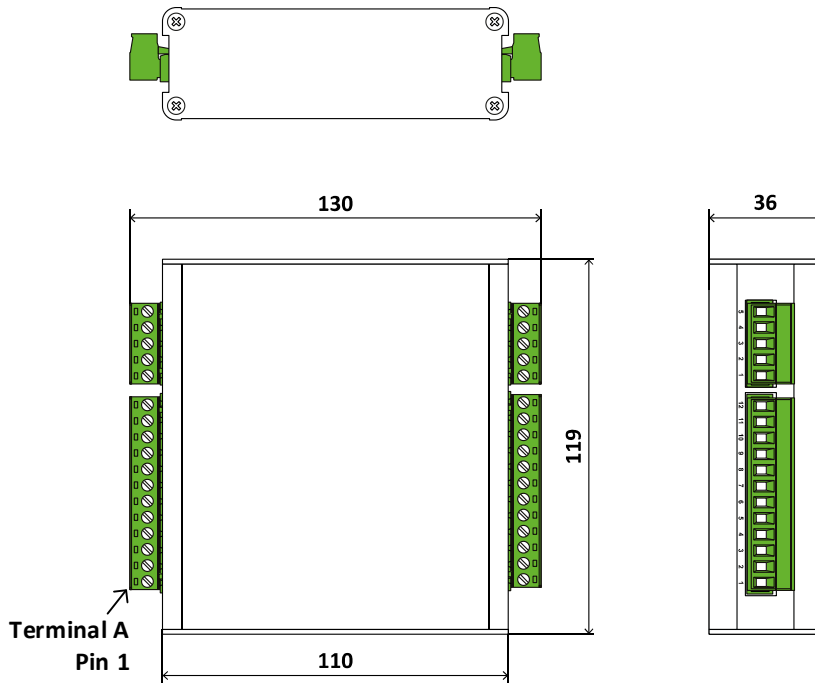
CONNECTOR B			LEDS	
5	PE	Earthing Terminal		
4	GND	Power Input – Minus Terminals	PWR	Default Setting: the Power is Connected, LED Lights Up. / Programmable
3		Terminals are Internally Interconnected		
2	VIN	Power Input – Plus Terminals		
1	10-60 V DC	Terminals are Internally Interconnected		

CONNECTOR C			LEDS	
12	NC 1	Normally Closed		
11	COM	Common terminal of NOC Relay		
10	NO 1	Normally Open	RE1	Default Log 1 = Lights / Programmable
9	GND	Ground		
8	BI 3	10-bit Alarm or Digital Input 5 V DC	BI3	Default Sabot. Short = Lights / Program.
7	BI 2	10-bit Alarm or Digital Input 5 V DC	BI2	Default Sabot. Short = Lights / Program.
6	BI 1	10-bit Alarm or Digital Input 5 V DC	BI1	Default Sabot. Short = Lights / Program.
5	GND	Common Ground Terminal of Digit, Inputs 1 to 4		
4	DI 4	Digital Input 24 V - DC / AC	DI4	Default Log 1 = Lights / Programmable
3	DI 3	Digital Input 24 V - DC / AC	DI3	Default Log 1 = Lights / Programmable
2	DI 2	Digital Input 24 V - DC / AC	DI2	Default Log 1 = Lights / Programmable
1	DI 1	Digital Input 24 V - DC / AC	DI1	Default Log 1 = Lights / Programmable

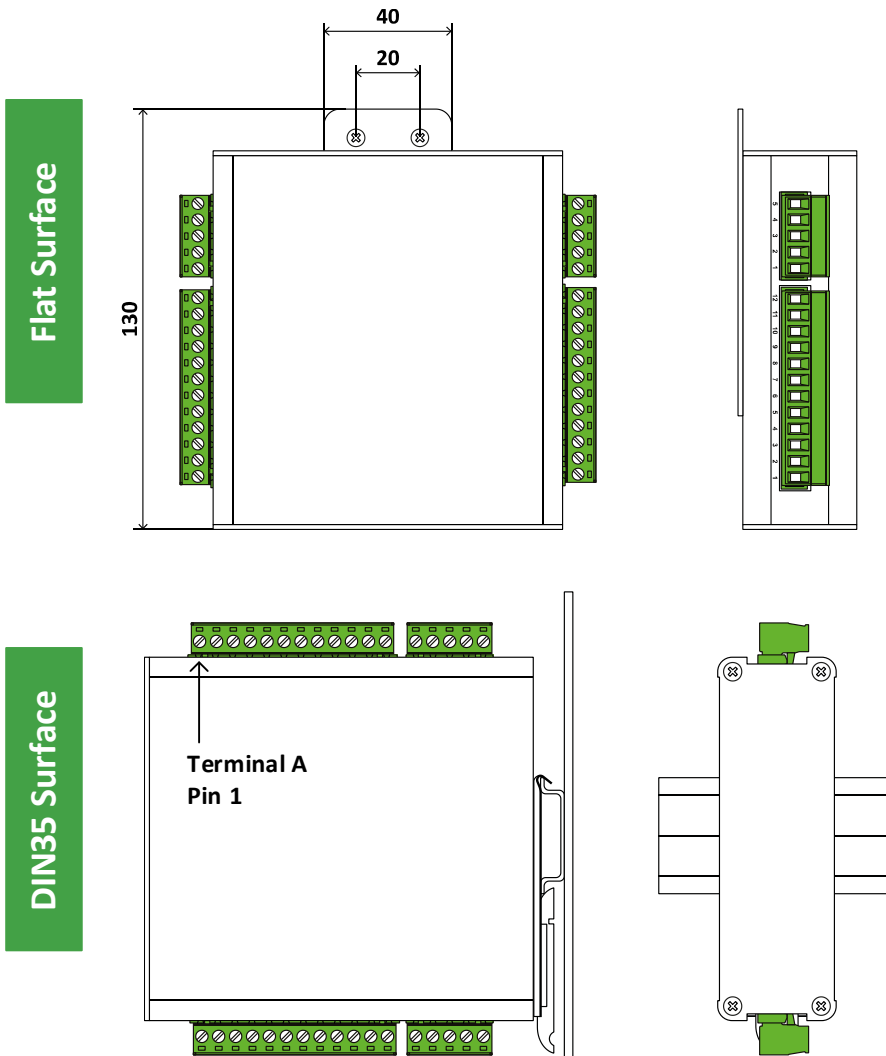
Galvanic Isolation



BOX Version Dimensions



BOX Version Installation



For installation we recommend using M3 screws and a flat surface holder from accessories.

For installation we recommend using M3 screws and DIN35 holder from accessories.

Modbus Registers

Below is a list of available device MODBUS registers. The same register numbers are also used by the MIOS-2 protocol.

Modbus Read / Write (0x17) Function

METEL IO modules have implemented MODBUS function (0x17) Read/Write of Multiple registers. Typically it is required to have two separate requests (and responses) for:

- 1) writing of outputs via MODBUS function (0x16) Write Multiple Registers
- 2) reading of inputs via MODBUS function (0x03) Read Holding Registers

This requires a total of 4 frames to be sent over MODBUS. If using 0x17 function only one request is needed for the writing and reading of outputs. This requires a total of 2 frames to be sent over MODBUS.

Default Settings of Communication

Device ID: 1

Baudrate: 115 200

Parity: None

Data bits: 8

Stop bits: 1

	Subject	Channel	Type	R/W	Value	Offset
States of Digital Inputs and Relay Output	Digital Input 1	DI#01	bit	R	0 = inactive 1 = active	3001
	Digital Input 2	DI#02	bit	R		3002
	Digital Input 3	DI#03	bit	R		3003
	Digital Input 4	DI#04	bit	R		3004
	Balanced Input 1 _{BIN}	DI#05	bit	R		3005
	Balanced Input 2 _{BIN}	DI#06	bit	R		3006
	Balanced Input 3 _{BIN}	DI#07	bit	R		3007
	COIL Relay 1	DI#08	bit	R		3008
	Inputs	DI#16 - DI#01	u16	R	0x0000 - 0x00FF	3001
States of Balanced Inputs	Balanced Input 1	AI#05	u16	R	1000 = 1000 Ω 0 = 0 Ω	5005
	Balanced Input 2	AI#06	u16	R		5006
	Balanced Input 3	AI#07	u16	R		5007

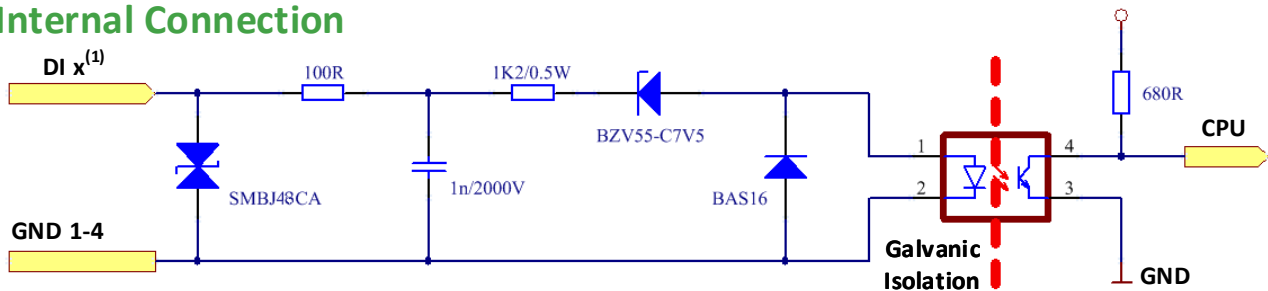
	Subject	Channel	Type	R/W	Value	Offset
Push-Pull and Relay Outputs	Push-Pull Output 1	DO#01	bit	RW	0 = inactive 1 = active	4001
	Push-Pull Output 2	DO#02	bit	RW		4002
	Push-Pull Output 3	DO#03	bit	RW		4003
	Push-Pull Output 4	DO#04	bit	RW		4004
	Push-Pull Output 5	DO#05	bit	RW		4005
	Push-Pull Output 6	DO#06	bit	RW		4006
	Push-Pull Output 7	DO#07	bit	RW		4007
	Push-Pull Output 8	DO#08	bit	RW		4008
	Relay Output 1	DO#09	bit	RW		4009
	Outputs	DO#16 - DO#01	u16	RW	0x0000 - 0x01FF	4001
Modes of Outputs	Push-Pull Output 1	DO#01 mode	u16	RW	0 = None (default) 1 = Push (PNP) 2 = Pull (NPN)	4101
	Push-Pull Output 2	DO#02 mode	u16	RW		4102
	Push-Pull Output 3	DO#03 mode	u16	RW		4103
	Push-Pull Output 4	DO#04 mode	u16	RW		4104
	Push-Pull Output 5	DO#05 mode	u16	RW		4105
	Push-Pull Output 6	DO#06 mode	u16	RW		4106
	Push-Pull Output 7	DO#07 mode	u16	RW		4107
	Push-Pull Output 8	DO#08 mode	u16	RW		4108

	Subject	Channel	Type	R/W	Value	Offset
Device Identification	Product Type		u8[3]	R		1002-04
	Serial Number		u32	R		1005-06
	PCB Version		u32	R		1007-08
	PCB Revision		u16	R		1009
	FW Version Major		u16	R		1010
	FW Version Minor		u16	R		1011
	FW Version - Revision		u32	R		1012-13
	IF#01 Slot State		u16	R	0 = N/A 1 = IF#01 not Inserted 2 = IF#01 Inserted, CRC error 3 = IF#01 Inserted, CRC OK	1021
	IF#01 Product Type		u8[3]	R		1022-24
	IF#01 Serial Number		u32	R		1025-26
IF#01 PCB Version		u32	R		1027-28	
IF#01 PCB Revision		u16	R		1029	
Device Control	Reset		u16	RW	55203 = To Reboot	1201
	Bootloader / Application		u16	R	0x00A – Application, 0x00B – Bootloader	1203
	Restart to Bootloader ⁽¹⁾		u16	RW	617 = To Bootloader else = deactivate bootloader	1204
Device Status	Board Power Voltage		u16	R	105 = 10,5V	1311
	Board Temperature		s16	R	-200 = -20,0°C 250 = 25,0°C	1321

⁽¹⁾ to activate the bootloader, it is necessary to write a value of 617 in the registry and restart the device

Optically isolated inputs are optimised for 24V DC/AC levels. They can be connected to external devices such as sensors, switches, buttons, door contacts etc. Each input serves also to counter functions where local CPU counts pulses into the internal memory accessible from METEL IEC 61131-3 IDE or directly from Linux scripts. Inputs are divided into groups with common GND terminals. For details please see the table „Location and Designation of Connectors and LEDs “. Logic state 1 of each input is signaled by a relevant LED diode on the front panel.

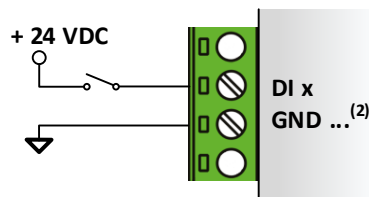
Internal Connection



Examples of Connections

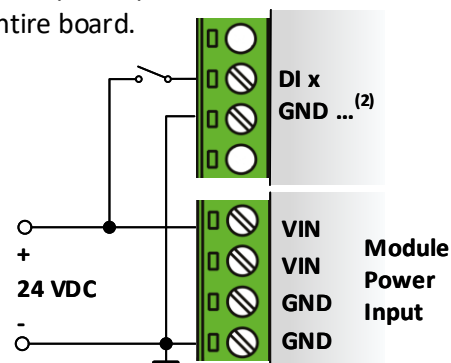
Optically Isolated Sinking Input

Input is powered from an external optically isolated power source. This wiring protects the system from the occurrence of ground loops.



Non-isolated DI Sinking Input

The input is powered from the same source as the entire board.



Parameter	Value	Note
Input Voltage DC / AC	Log. 0: -30 V to 5 V	
	Log. 1: +15 V to 30 V	Max. 50 V / 1 s
Digital Input Type	2 (24 VDC)	IEC 61131-2
Input Current	12 mA at 24 VDC	
Galvanic Isolation	2.500 V _{RMS}	DIx / CPU
Surge Protection	600 W	10 / 1000 μs
Max. Counting Frequency	20 kHz	Duty Cycle 1:1

(1) The letter „x“ replaces the input numbers.

(2) Common ground terminal is shared by group of digital inputs. „...“ replaces the input numbers.

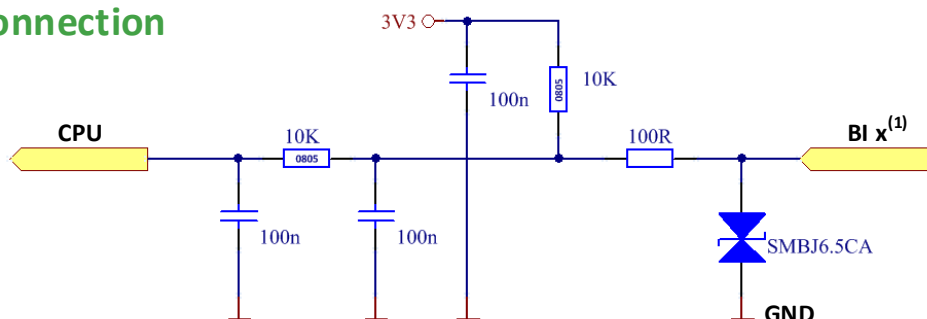
- ❖ In alarm mode there is an input measuring the loop resistance which allows connection of PIR, MW and other alarm sensors. Inputs are therefore capable of distinguishing normal state, alarm, sabotage, masking, failure, low or high resistance as required by the EN 50131-1 standard.
- ❖ In digital mode there are inputs used as 5 V Digital Dry Inputs.

All inputs are accessible from METEL IEC 61131-3 IDE or directly from Linux scripts and can be configured independently of each other. Logic state of each input is signaled by a relevant programmable LED diode on the front panel. For details please see the table „Location and Designation of Connectors and LEDs “.

Default programmable LEDs settings is as follows:

- ❖ Alarm Mode: LED "Flashing" => regardless of input impedance level, balanced loop status.
- ❖ Digital Mode: LED On => Input active, input terminal grounded to GND
LED Off => Input not active, input terminal is open and internally Pull-Up to 3V3

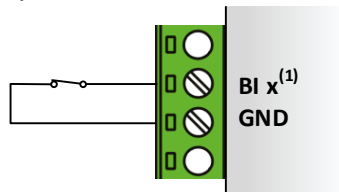
Internal Connection



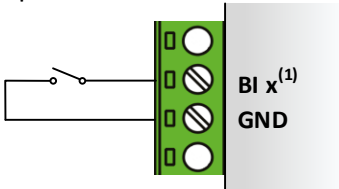
Examples of Connections

Digital Dry Contact Schematic

Input connected with GND = log. 1.

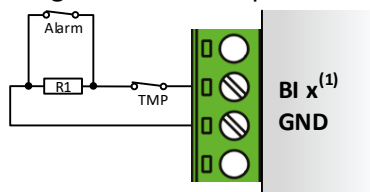


Input disconnected from GND = log. 0.

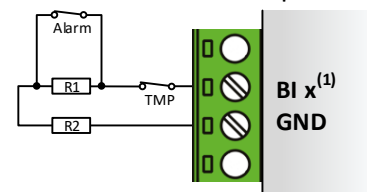


Alarm Contact Schematic

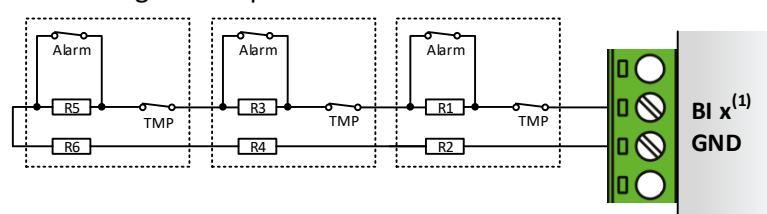
Single Balanced Loop



Double Balanced Loop



Connecting of multiple detectors to one line

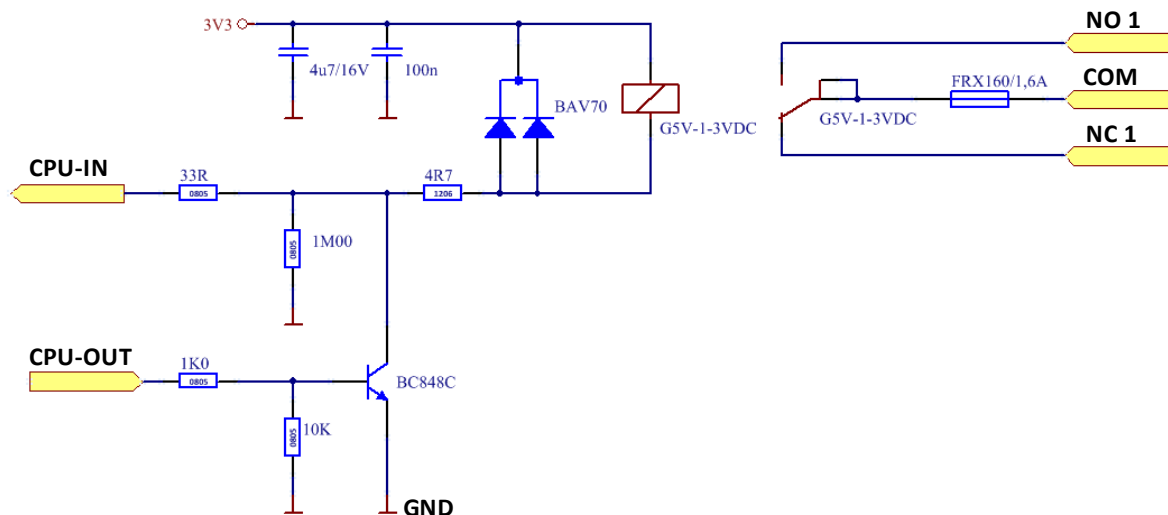


Parameter	Value	Note
Input Voltage	Max. 7 V DC	
Input Current	0.3 mA at 5 V DC	
Surge Protection	600 W	10 / 1000 μs
Alarm Mode		
Range	From 10 to 30.000 Ω	10-bit resolution
Levels	8	Normal, Alarm, Failure, Masking, Sabot. short/open, Low/High Res.
Digital Mode:		
Dry Contact Schematic	Log. 0: Open	
	Log. 1: Close to Ground	

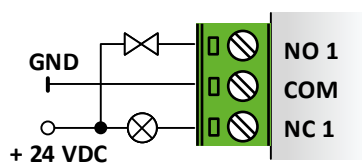
(1) The letter „x“ replaces the input number.

Relay output is capable of switching loads with either AC or DC voltage. Relay Output is accessible from METEL IEC 61131-3 IDE or directly from Linux scripts and can be configured independently of each other. Logic state of each output is signaled by a relevant programmable LED diode on the front panel. For details please see the table „Location and Designation of Connectors and LEDs“.

Internal Connection



Examples of Connections



Relay NOC (Changeover) output has a common terminal COM. Two state relay can switch both AC and DC voltages to load. In the non-voltage state are relay terminals NO 1 - COM disconnected and NC 1 – COM connected. The relay is turned on when the program set logic 1 at its coil. When the relay is turned on, corresponding RE1 LED diode on the front side lights up (in default configuration).



Relay terminals must be protected with an external circuit breaker or fuse to prevent the rated current of the terminal or the load being exceeded. When switching inductive load it is recommended to protect relay outputs with an appropriate external component (e.g. varistor, RC circuit, or diode).

Parameter	Value	Note
Contact Type	NOC	Changeover Relay
Number of Poles	1	
Max. Load	0.5 A / 120 VAC	Resistive Load
	1 A / 24 VDC	Resistive Load
Electrical Lifetime	3,000,000 Operations	
Isolation Voltage	1.000 Vrms / 1 min.	Terminals to Electronic or Case

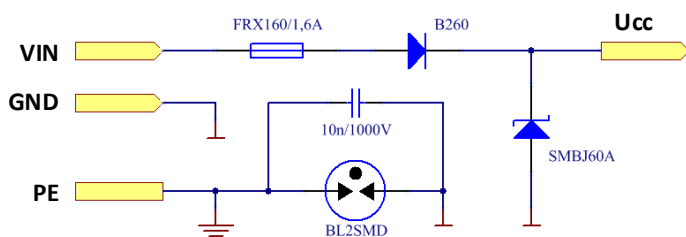



The PE terminal must be earthed according to the applicable standards in the country of installation. Correct grounding protects personnel against electric shock and improves device immunity from interferences. If dangerous voltage is applied to the terminals, only personnel with appropriate electrical education may perform installation and servicing of the equipment. Before any manipulation with the device, including disconnecting and connecting the terminals, the dangerous voltage must be disconnected.

POWER INPUT

The supply voltage is connected to VIN and GND terminals. The terminals are doubled for easier connection between the modules installed side by side.

Internal Connection of POWER INPUT



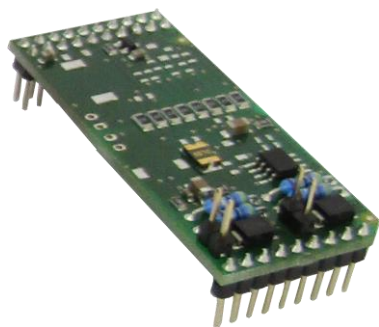
 The cover of the device is galvanically connected to the PE terminal which is galvanically isolated from the device electronic. It allows the user to use the device even in systems with a grounded + pole.

Parameter	Value	Note
Input Voltage Range	10 to 60 VDC	
Surge Protection	600 W	10 / 1000 μ s
Short Circuit Protection	Polyswitch	
Reverse Polarity Protection	Diode	

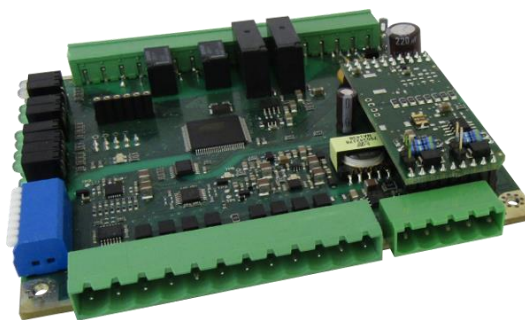
IO modules include one IF slot which can be used for IF modules. The main purposes of the IF modules are to provide:

- ❖ RS485 connectivity if the IO module board is used in the standalone addressable IO module communicating with PLC via the RS485 bus
- ❖ Provides serial interfaces for communication with other systems
- ❖ Additional inputs and outputs into system

Standalone IF Module



IF module Installed on a IO Module



📖 IF modules must be plugged into the IF slot when the power is turned off. After, the power is turned on the new IF module is automatically detected.

📖 When ordering, we recommend using the online configurator available at www.iplog.eu.

Overview Table of IF Modules

ORDERING		CONNECTOR D				
NAME	DESCRIPTION	1	2	3	4	5
IF-01	2x RS485	A1+	B1-	GND	B2-	A2+
IF-01G	2x RS485 ISO	A1+	B1-	GND-ISO	B2-	A2+
IF-02	2x RS232	Rx1	Tx1	GND	Rx2	Tx2
IF-02G	2x RS232 ISO	Rx1	Tx1	GND-ISO	Rx2	Tx2
IF-03	RF 868 MHz	TBD	TBD	TBD	TBD	TBD
IF-04G	RS485 ISO, DALI	A+	B-	GND-ISO	-D BUS	+D BUS
IF-05	RS485, 2x INPUTS ⁽¹⁾	A+	B-	GND	BI 2	BI 1
IF-06	AUDIO	OUT R	OUT L	GND	IN R	IN L
IF-07G	RS485 ISO, 1-Wire	A+	B-	GND-ISO	1-Wire	5V0-ISO
IF-08G	Profibus	A	B	GND-ISO	GND-ISO	5V0-ISO
IF-09	M-Bus	M-Bus+	M-Bus+	GND	M-Bus-	M-Bus-
IF-10	KNX	BUS+	BUS+	NC	BUS-	BUS-
IF-11	Wiegand, 2x INPUTS ⁽¹⁾	Data 0	Data 1	GND	BI 2	BI 1
IF-12	4x INPUTS ⁽¹⁾	BI 4	BI 3	GND	BI 2	BI 1
IF-13	RS232 (CTS, RTS, Rx, Tx)	CTS	RTS	GND	Rx	Tx
IF-13G	RS232 (CTS, RTS, Rx, Tx) ISO	CTS	RTS	GND-ISO	Rx	Tx
IF-14G	4x DIGITAL INPUTS (24V)	ISO DI 4	ISO DI 3	GND-ISO	ISO DI 2	ISO DI 1
IF-15	4x OC (NPN) OUTPUTS	OC 4	OC 3	GND	OC 2	OC 1
IF-15G	4x OC (NPN) OUTPUTS ISO	ISO OC 4	ISO OC 3	GND-ISO	ISO OC 2	ISO OC 1

⁽¹⁾ Alarm / 5V Digital Inputs

ISO = Isolated

TBD = To be Determined

IF- That way labeled IF modules are suitable for standalone IO modules. They are always connected to a PLC or LAN-RING switch via the RS485 bus.