

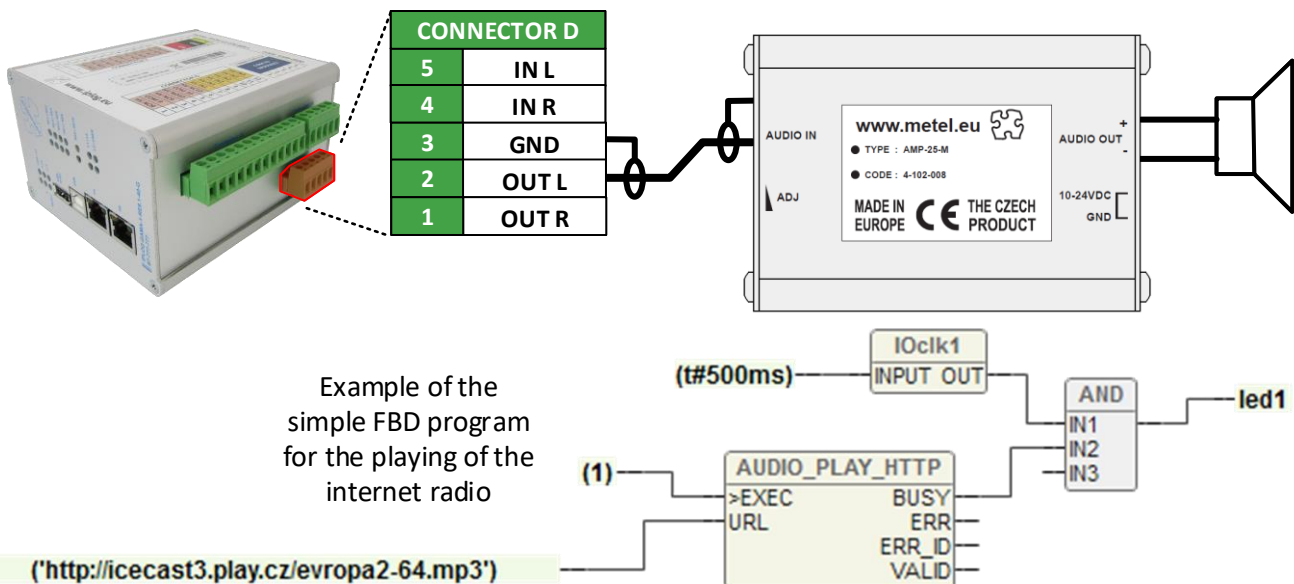
- ❖ 94% Efficient Class-D Operation
- ❖ 25-W into an 8-Ω Load at 24-VDC
- ❖ 20-W into an 4-Ω Load at 12-VDC
- ❖ No Need for Heat Sinks

PRODUCT NAME	CODE	NOTE
AMP-25-M	4-102-008	12 - 24VDC
Holder for Mounting to DIN35 and Flat Surface is Included.		



## Typical Connection and Configuration

Amplifiers AMP-25-M are compatible with IF-06 audio modules inserted into control units IPLOG-Gx. IEC 61131-3 programming IDE serves intuitive GUI for programming required logic in FBD, LD, ST, and IL languages. Typically consist of the playing of the online streams or internally saved records.



## Technical Parameters

	Parameter	Value	Unit	Note
Audio	Audio-input	Mono		CINCH
	Input Impedance	9	kΩ	
	Audio-output	8Ω/25W		At 24VDC
Terminals				
Power supply	Voltage	12 - 24	VDC	
	Current at 24 VDC	Max. 1.2	A	Output 25W
Environment	Working Temperature	-40...+70	°C	Temperature of Environment
	Storage Temperature	0...+70	°C	
	Humidity	Max. 95	%	Non Condensing
Mechanical	Dimensions	See drawings		
Parameters	Weight	0.12	kg	
Certification		CE		
The producer retains the right to change any technical parameters without previous written or published notification.				

**Dimensions**