



Mounting to DIN35



Mounting to a Flat Surface

- ❖ Galvanically Isolated Output 13.6VDC / 2A
- ❖ Compatible with PoE IEEE 802.3at/bt
- ❖ Mount to a Flat Surface or DIN35 Rail
- ❖ Operating Range of Device from -40°C to +70°C
- ❖ Operating Range of Used Parts from -40°C to +85°C

PRODUCT NAME	CODE	SUPPLY
SPT-1220-BOX	4-110-302	PoE IEEE 802.3at/bt
Holders for mounting on DIN35 and flat surface are included.		

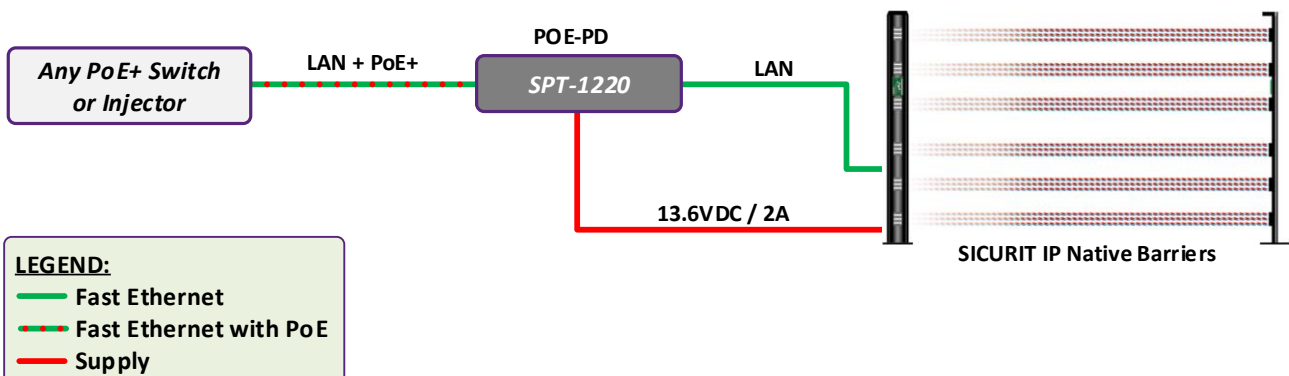
Description of Functions

Splitters provide a power supply of 13.6V / max. 2A from PoE+/++ in accordance with IEEE802.3at/bt. After the interconnection of cables according to the picture below the splitter is detected and classified by PoE -PSE device (switch, injector). Then the output 13.6VDC/max. 2A is automatically started and activated. A typical example is supplying of SICURIT IP Native barriers, IPLOGs, IR illumination or an external microphone.

Technical Parameters

Parameter	Value	Unit	Note
Port: DATA	Ethernet	10/100	Mbps
Port: DATA + PoE	Ethernet	10/100	Mbps PoE-PD
Overvoltage Protections	600	W	10/1000µs
OUT +13.6 V	Max. Output Power	25	W
	Voltage	13.6	VDC
	Current	Max. 2	A
Environment	Operating Range	-40 to +70	°C
Mechanical	Dimensions	See Drawings	mm
	Connectors	Ethernet: RJ45	
		13.6 V Output: Terminals	
	Product is Compatible with	CE	
The producer retains the right to change any technical parameters without previous written or published notification.			

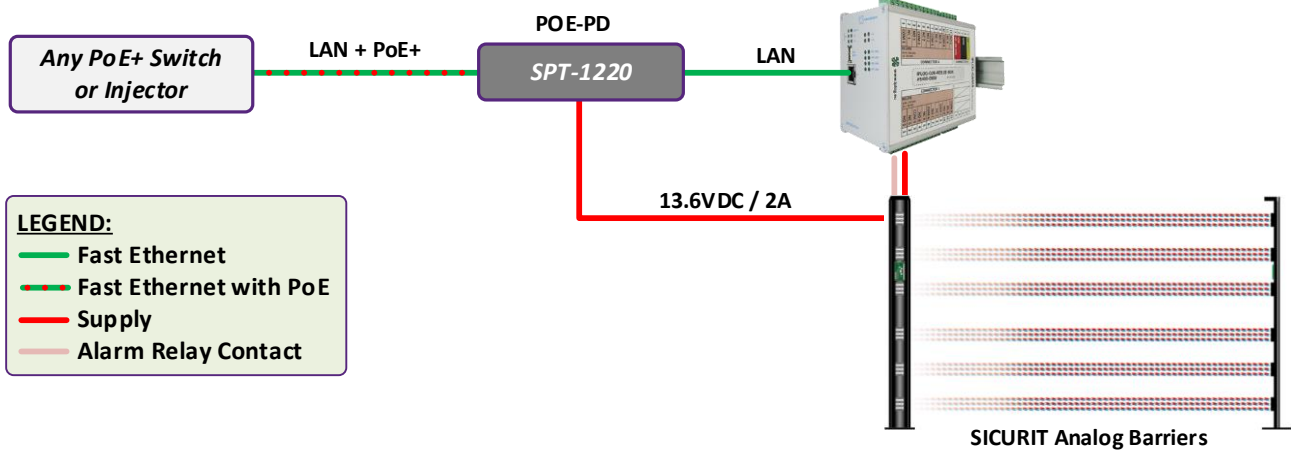
Block Diagrams of Wiring with a SICURIT IP Native Barriers



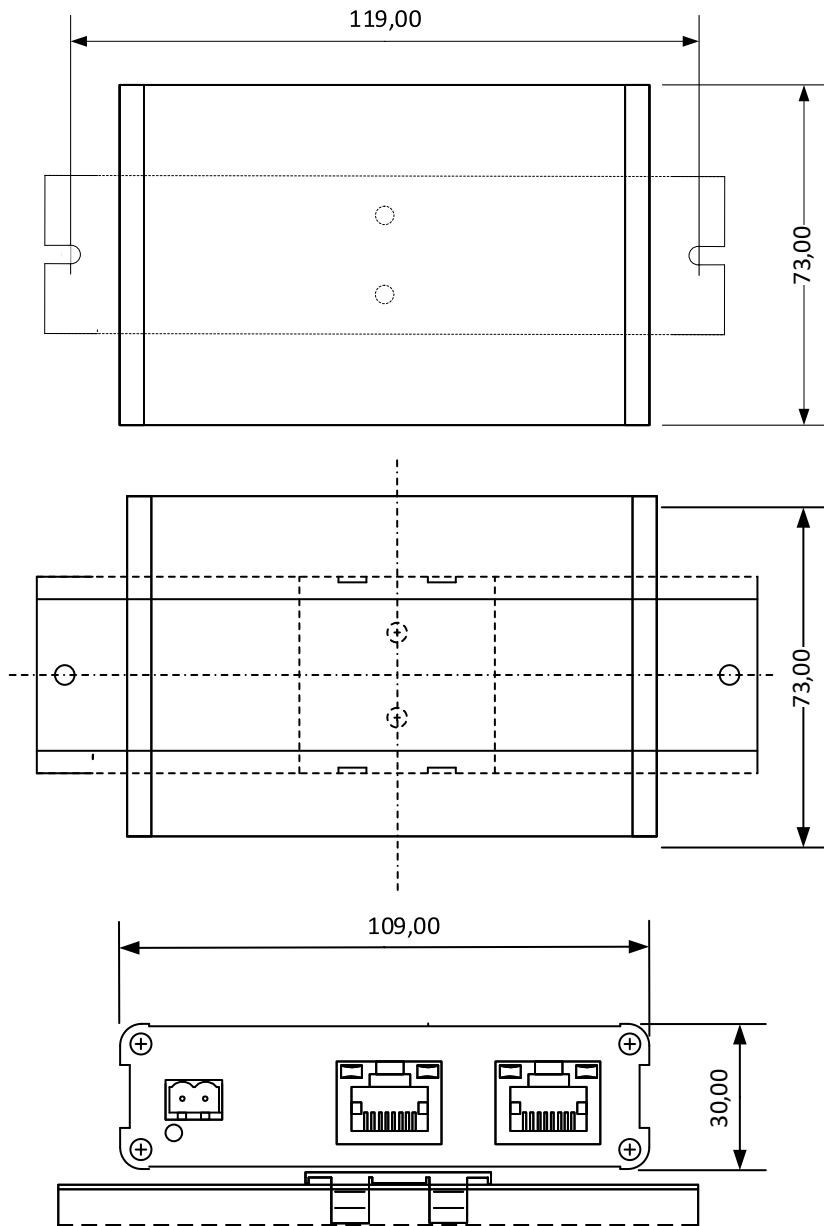
PRE-PRODUCTION DATASHEET

PRE-PRODUCTION DATASHEET

Block Diagrams of Wiring with a SICURIT Analog Barriers



Dimensions



PRE-PRODUCTION DATASHEET

PRE-PRODUCTION DATASHEET

REV: 201810 - Preliminary Version
 201812 - Preliminary Version / Full Version of the Datasheet
 201903 - Preliminary Version / A New Housing

SPT-1220-BOX

PoE Splitters 13.6V / 2A

1. Mounting

Mount the splitter to a flat surface or DIN35. All the necessary holders are included. In Sicurit IP Native barriers the splitter is directly built in the columns.

2. Connecting PoE

According to the pictures below, connect the ethernet cables with PoE. The PoE splitter is the PoE end device, after detection and classification, 13.6VDC output is granted and LED ready is on.

3. Connection of Output 13.6VDC/2A

Connect the device which supports power supply 13.6VDC/ max. 2A.

PRE-PRODUCTION DATASHEET

PRE-PRODUCTION DATASHEET

