



- ❖ Single-port PoE+ Injectors
- ❖ Compatible with IEEE 802.3af/at
- ❖ Maximum Output Power 30W
- ❖ Input Power Supply 10-30VDC
- ❖ Output Voltage 52VDC / 0.3A
- ❖ Overvoltage Protections PoE (Transil + Lightning Arrester)

- ❖ Mount to a Flat Surface or DIN35 Rail
- ❖ Operating Range -40°C to $+70^{\circ}\text{C}$

PRODUCT NAME	CODE	SUPPLY
POE-PSE-30-BOX	4-100-300	10-30VDC
Holder for mounting DIN35 and flat surface are included.		

Description and technical parameters

PoE-PSE-30 are single-port PoE+ injectors with max. output power 30 W. The injectors are fully compatible with all PoE devices in accordance with IEEE 802.3af/at (MODE B).

	Parameter	Value	Unit	Note
Data pins 1-2, 3-6	Ethernet	10/100	Mbps	
PoE pins 4-5, 7-8	PoE	48	VDC	PoE mode B
	Max. Output Power	30	W	Σ PoE + VOut
	Overvoltage Protections	Rough + Fine		
Power supply	Operating Voltage	10 - 30	VDC	
	Power Consumption	20	mA	
	VOut	52	VDC	Max. 0.3 A
Environment	Operating Range	-40 to $+70$	$^{\circ}\text{C}$	
Mechanical	Dimensions	page 2	mm	
	Ports	Ethernet: RJ45		
		10 - 30VDC: Terminals		
	PE Connection	Cable 1,5	mm^2	
	Product is Compatible with	CE		
The producer retains the right to change any technical parameters without previous written or published notification.				

Electromagnetic compatibility

Standard	Testing level - Criteria
EN 55024 – Immunity characteristics	
EN 61000-4-2 – contact discharge	Level 4 - criteria B
EN 61000-4-2 – air discharge	Level 4 - criteria B
EN 61000-4-4 – bursty	Level 4 - criteria B
EN 61000-4-5 – surge immunity	Level 4 - criteria B
EN 61000-4-8 – magnetic field 50 Hz	Level 5 - criteria A
EN 61000-4-9 – pulse magnetic field	Level 5 - criteria A
EN 55022 – radiated emission	Class A

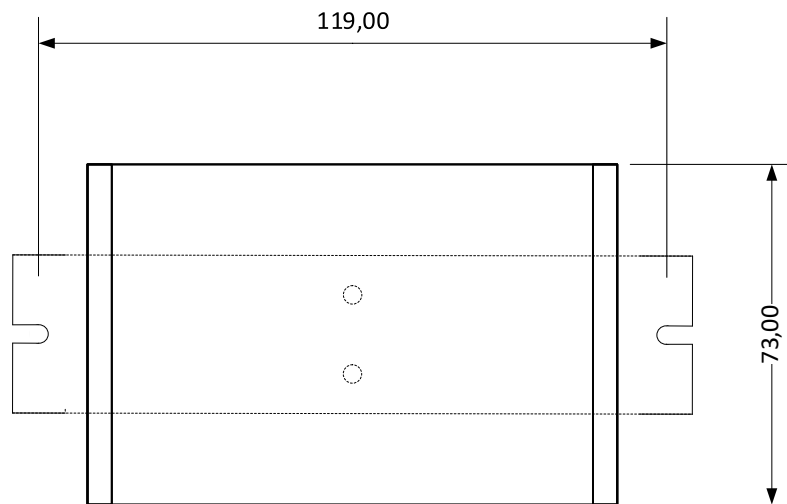
This modern design injectors meets the demandign requirements for electromagetic compatibility, the intergrated overvoltage protections on all ports allow for the use of these injectors in industrial use, including use in outdoor enviroments:

- ❖ low influence ecologically,
- ❖ low levels of radiation,
- ❖ little warming even at maximum power.

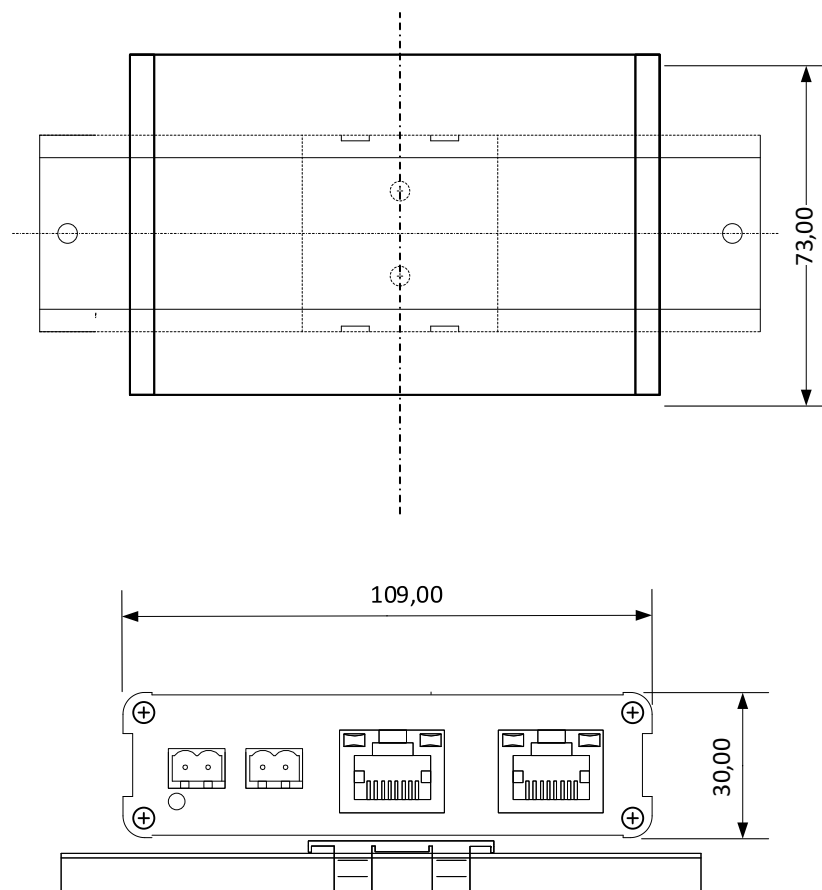
Dimensions

univesality

POE-PSE-30



POE-PSE-30 + DIN35-LOCK*



*Holder for mounting DIN35 and flat surface are included.

REV: 201608 – Default

201809 – New Version with 52VDC Output

POE-PSE-30-BOX

Industrial PoE+ Injectors

Description and technical parameters

PoE-PSE-30 are single-port PoE+ injectors with max. output power 30 W. The injectors are fully compatible with all PoE devices in accordance with IEEE 802.3af/at (MODE B).

Powering includes these three steps :

- 1.) Detection of a device compatible with PoE.
- 2.) Classification of the device according to power classes.
- 3.) Enable the generated PoE voltage.

For proper functioning of the overvoltage protections the yellow-green wire must be grounded.

