

- ❖ 2x SFP+ Slots 10 GBASE-R
- ❖ 8x RJ45 Ports 10/100/1000 BASE-T
- ❖ Serial Buses 2x RS485 / RS422 / Modbus
- ❖ 2x Digital/Alarm Inputs
- ❖ 1x Programmable Relay Output
- ❖ 2x Independent Supply Inputs
- ❖ Redundant Topology LAN-RING, RSTP
- ❖ Event Management with Support:
HTTP/ONVIF Client, E-mail, IP Watchdogs, ETH
Events, TCP, Modbus, DIO, Balanced Loops...
- ❖ SNMPv3 Encrypted Management

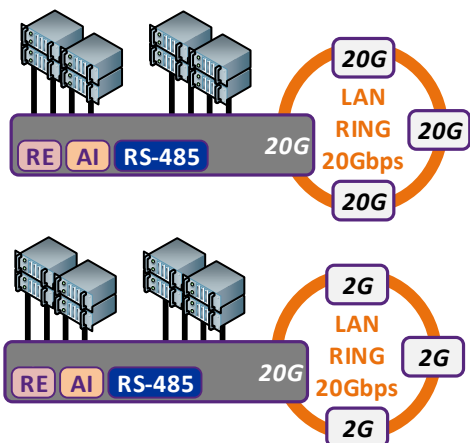
- ❖ VLAN, QoS, SNMP, SMTP, STMP, IGMPv1/2,
RSTP, LLDP, 802.1X
- ❖ Overvoltage Protections up to 30A (8/20µs)
- ❖ Operating Range -40°C to +70°C
- ❖ Operating Range of Components -40°C to +85°C

PRODUCT NAME	CODE	NOTE
20G-2X.8.0.F-BOX	1-981-220	10-60VDC/10-30VAC
Holders for DIN35, Flat Surface and to 10" Cabinets are Included.		
AVAILABLE PORTS:	SFP+ GE DI/BI RE RS485/422	
	2 8 2 1 2/1	
Na www.metel.eu naleznete dostupné SFP moduly.		

L2 switches 20G-2X.8.0.F-BOX expand the successful series of 2G switches with a backbone L2 switch with 10Gbps full duplex throughput on 2 optical ports. They support connections in ring topology, cascade ring topology, mesh and point-to-point. Industrial design and surge protection of all metallic ports, inputs and outputs guarantee reliable operation even in demanding outdoor and industrial applications.

Typical Connection in RING Topology

Depending on the SFP modules used, 20G switches support both 10Gbps full duplex (LAN-RING 20G) and 1Gbps full duplex (LAN-RING 2G) optical ring connections.

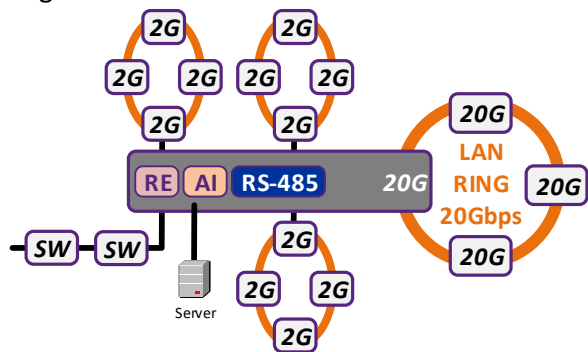


LEGEND:

	10 GBASE-R		RS-485	RS485
	1000 BASE-X		AI	Alarm Input
	1000 BASE-T		RE	Relay Output

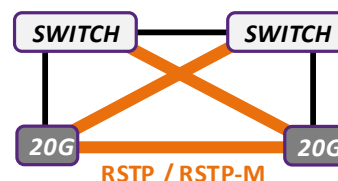
Typical Connection in Cascade

A common application is growing systems, where 20G switches interconnect individual network segments.



Typical Connection in MESH Topology

The switches support the RSTP / RSTP-M protocols.



Technical Parameters

compatibility

	Parameter	Value	Unit	Note
Switching Capacity	Throughput	48	Gbps	
	Switching CPU	Marvell (USA)		
10 GBASE-R	Count	2		
	Supported Formats	Supports 64B/66B signal encoding		
1000 BASE-T	Connector	Slots SFP+		
	Count	8		FE
	Supported Formats	10/100/1000 BASE-T		
	Overvoltage Protection	30	A	8/20µs
	Connector	RJ45		
Management	SNMPv3	SIMULand		Windows Application
RS485/RS422 ⁽¹⁾	Count	2/1		
	Speed	Max. 57.6	kbps	
	Overvoltage Protection	30	A	8/20µs
Digital Inputs	Count	2		
	Mode	Digital - NC / NO		
		Analog 0 - 30kΩ for Balanced Loops		
Relay Output	Type of contact	1x Change-over		
	Max. Load	62.5VA (30W) / 1A / 60V		Resistive Load
Power Supply		Main input	Back-up input	
	Input Voltage	10 - 60 / 10 - 30	10 - 60	VDC/AC
	Power Consumption	Max. 10		W
	Overvoltage Protection	100	A	8/20µs
Environment	Operational Range	0...+70		°C Temperature of Environment
	Storage Range	-40...+70		°C
	Humidity	Max. 95		% Non-condensing
	Weight	0.8		kg
Planned Certification	CE, TUV			
The producer retains the right to change any technical parameters without previous written or published notification.				
⁽¹⁾ It is not possible to use both interfaces at the same time.				

Overview of Supported Modes RS485

The table below lists the most commonly used modes / protocols recommended for deployment on new systems.

		B U S 2					
		ASSET	DOMINUS	GALAXY	MODBUS	RS485	NOTE
B U S 1	ASSET	✓	×	×	✓	✓	I&HAS Fides
	DOMINUS	×	×	×	✓	✓	I&HAS Abbas
	GALAXY	×	×	×	✓	✓	I&HAS Honeywell
	MODBUS	✓	✓	✓	✓	✓	MODBUS ASCII/RTU
	RS485	✓	✓	✓	✓	✓	Type. 4-5ms Delay Between RS Ports

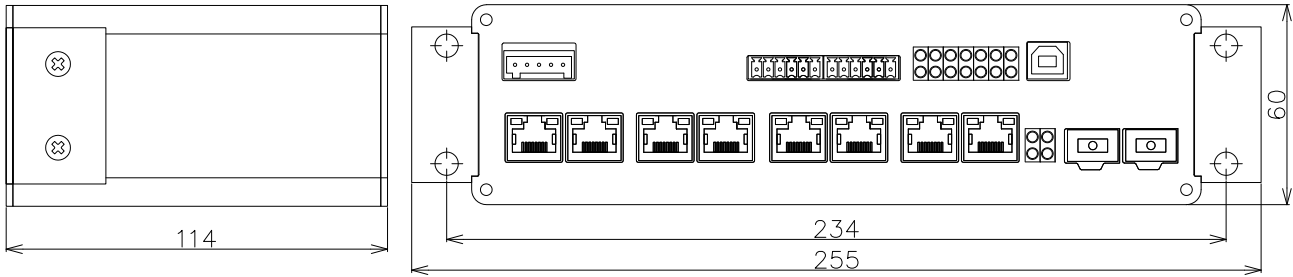
When transmitting data from I&HAS systems designed in accordance with EN 50131-1 the following rules apply:

- ❖ All frames are identified with VLAN headers in accordance with IEEE 802.1Q.
- ❖ All connected systems have a defined bandwidth (protection from DDoS attacks).
- ❖ Alarm system data have the QoS bits set for the highest priority.

The activity on all ports in the transmission system should be monitored via SNMP protocol.

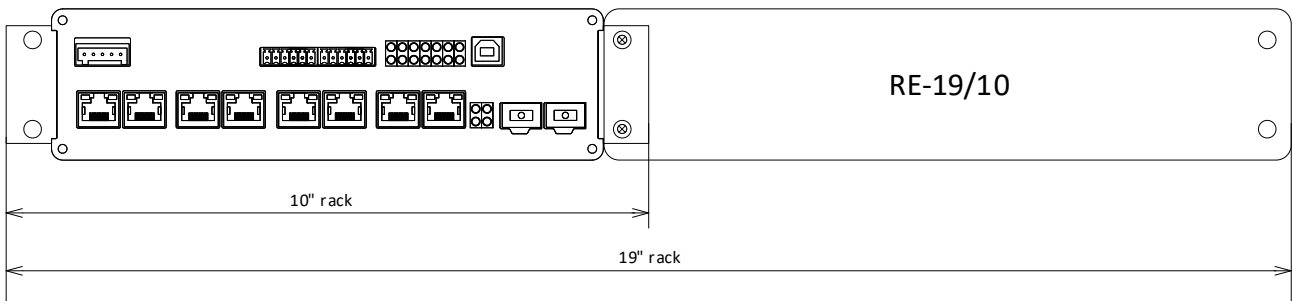
Dimensions of 20G-2X.8.0.F

universality



Mounting in the 10" and 19" rack

universality



Mounting to DIN35

universality

