



- ❖ Withdrawable Shelf 19"/3U
- ❖ Easy Installation
- ❖ Including 100W Power Supply 48-56VDC
- ❖ Compatible with PoE, PoE+, PoE++
- ❖ Installation up to 5 LAN-RING Switches
- ❖ Input Supply 230VAC

PRODUCT NAME	CODE	SUPPLY
SHELF-3U/IP-SU	4-500-009	230VAC

The 19" SHELF-3U/IP-SU shelves are designed for installation of IP switches and media converters to 19" rack case. The compatible types are shown in the below list.

Switches LAN-RING	Note	Media Convertors	Note
2G-2S.0.2.F-BOX		200M-1S.0.1-BOX	with holder DIN-LOCK-OH
2G-2S.0.2.F-BOX-PoE-PP		200M-1S.0.1-BOX-PoE+	with holder DIN-LOCK-OH
2G-2S.0.2.F-BOX-PoE-HP		2G-1S.1.0-BOX	with holder DIN-LOCK-OH
2G-2S.0.3.F-BOX-PoE+		2G-1S.1.0-BOX-PoE+	with holder DIN-LOCK-OH
2G-2S.0.3.FC-BOX			
2G-2S.3.0.F-BOX			
2G-2S.1.4.F-BOX-PoE-PP	Max. 2x side by side		

## Technical Parameters

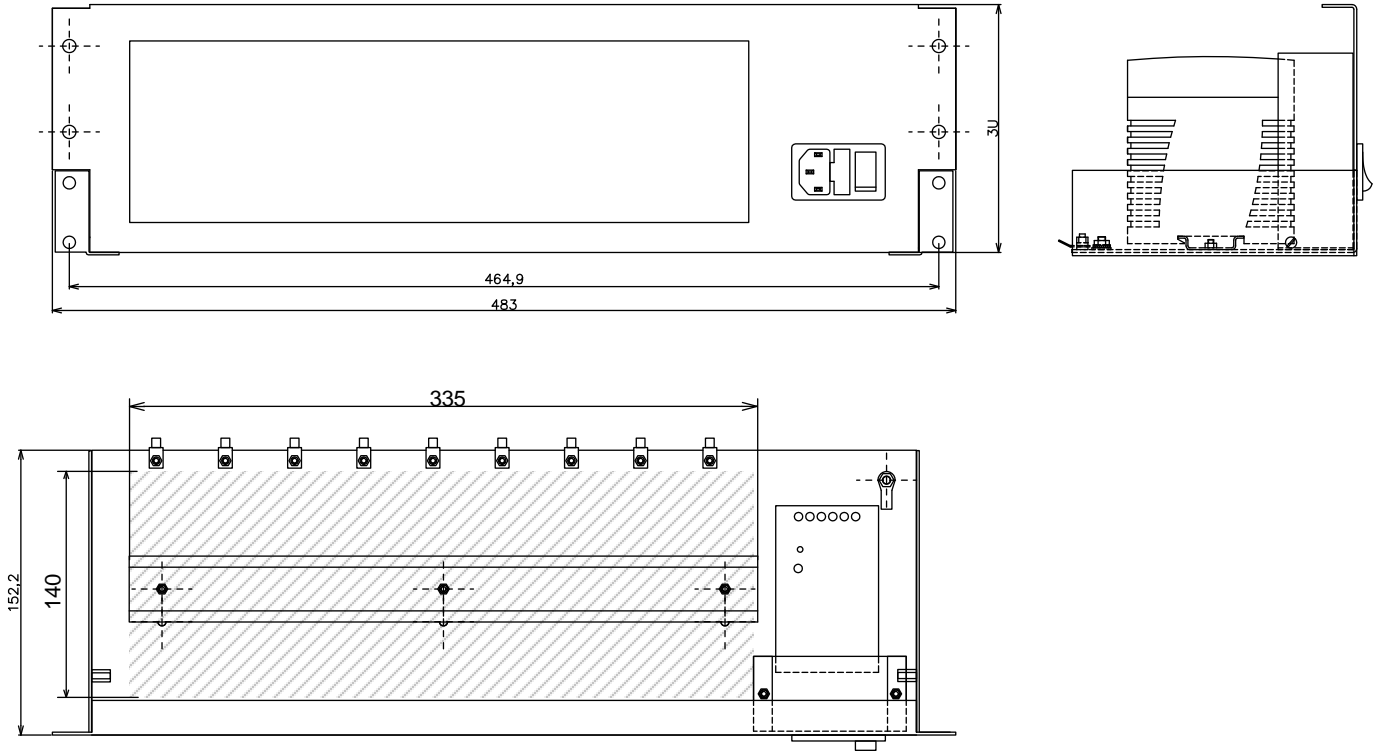
	Parameter	Value	Unit	Note
Mechanical	Dimension - w / h / l	19" x 3U x 152	mm	
	Number of Slots for Switches	5		
	Material	Al plate		
	IP Code	IP20		
	Weight	1	kg	Without Switches
Power Supply	Input Supply	230	VAC	± 10 %
	Output Supply	48-56	VDC	Compatible with PoE+, PoE++
	Power	100	W	
	Efficiency	88	%	při 0.8A, 230VAC
	Operating Range	-10....+60	°C	

The producer retains the right to change any technical parameters without previous written or published notification.

# SHELF-3U/IP-SU

Withdrawable 19" Shelf for switches and Media Convertors

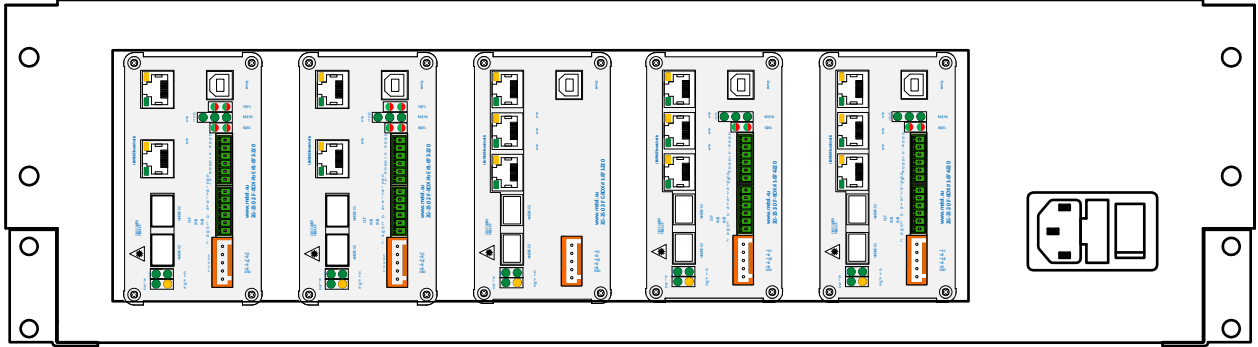
## Dimensions SHELF-3U/IP-SU



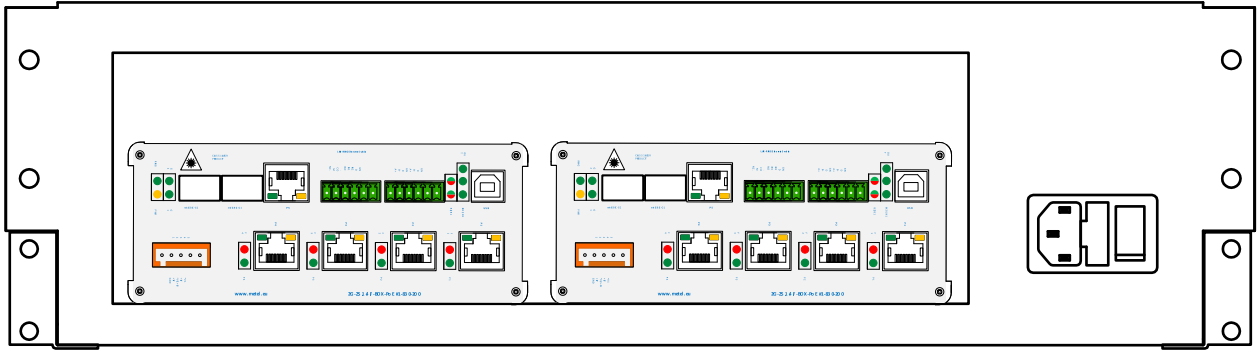
# SHELF-3U/IP-SU

Withdrawable 19" Shelf for switches and Media Convertors

## Installation Example: 4 to 5 Ports Switches



## Installation Example: 7 Port Switches



## Installation Example: Media Convertors

