



MB-SECURE System Bus Expansion over Fiber Optic

xDW



To reliably extend the MB SECURE bus, we offer long-proven xDW optical converters. With its modern design and digital modulation, it guarantees high-quality data transmission even over mileage. In addition, the fiber-optic extension ensures high immunity to electromagnetic interference. This ensures trouble-free operation in industrial areas, large office buildings and shopping centers with a large number of installed technologies.



Plug and Play



Operating Range -40°C to $+70^{\circ}\text{C}$



Two-way Communication over One Optical Fiber

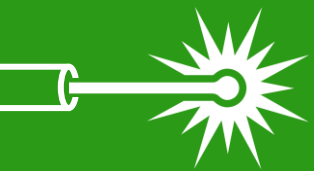


Universally Applicable on MM or SM Fibers



Digital Modulation





IB2

BUS2

RS485

CWDM

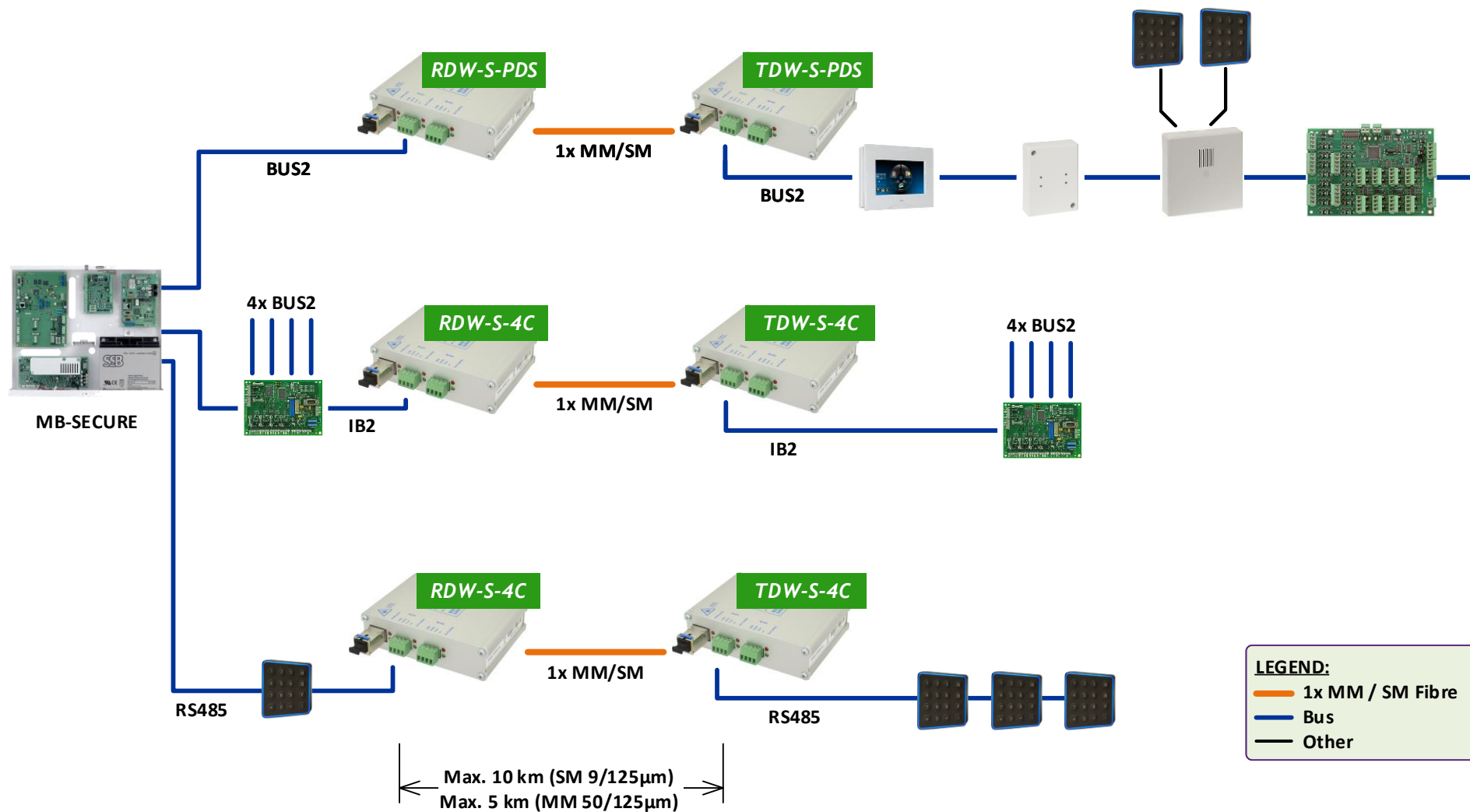
MM/SM

REV:202003

Typical Ways of Connecting Optical Converters

For extension of MB-SECURE control panels we produce 2 types of optical converters:

- ❖ TDW and RDW-S-PDS for BUS2 extension,
- ❖ TDW and RDW-S-4C to extend the IB2 and RS485 buses.



LEGEND:

- 1x MM / SM Fibre
- Bus
- Other